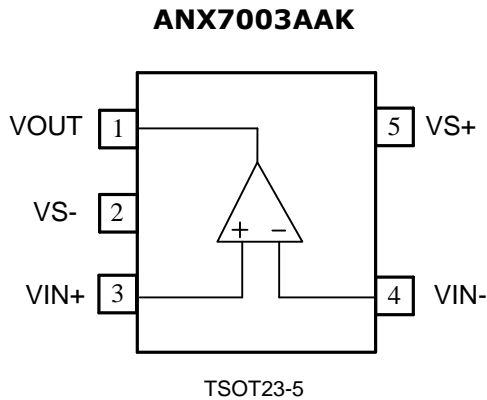


High Driving Capability OP Amplifier

FEATURES

- 4.5V to 20V input supply
- 40MHz – 3dB Bandwidth
- Rail-to-rail output swing
- High slew rate 70V/us
- 350mA output current limit
- Unity-gain Stable
- Beyond the Rails Input Capability
- Thermal protection
- Ultra-small TSOT-23-5 package

Pin Configuration (Top View)



DESCRIPTION

The ANX7003 is a low power, high voltage rail-to-rail 1-channel amplifier, which is provided as TFT LCD Vcom/Gamma Buffer. Each amplifier exhibits beyond the rail input capability, rail-to-rail output capability and is unity gain stable. The two amplifiers are ideal for use as voltage reference buffers in TFT-LCD panel applications for TV, Monitors, Notebooks, and portable equipment devices.

The ANX7003 features a high slew rate and fast settling times, and an extremely high output drive capability of 350mA peak output transient current (sink and source).

The ANX7003 operates on power supplies from 4.5V to 20V and consumes less than 1.5mA per amplifier. The ANX7003AAK is in 5-pin TSOT-23 package. All the two devices feature a standard operational amplifier pin out, and operate over a temperature range of -40 degree C to +85 degree C.

Ordering Information

Part Number	Package
ANX7003AAK	TSOT-23-5L

APPLICATIONS

- TFT LCD VCOM/GAMMA Buffer
- ADC/DAC buffer
- Car Navigation Display
- Portable equipment