

High Driving Capability OP Amplifier

FEATURES

- 4.5V to 20V input supply
- 40MHz – 3dB Bandwidth
- Rail-to-rail output swing
- High slew rate 70V/us
- 350mA output current limit
- Unity-gain Stable
- Beyond the Rails Input Capability
- Thermal protection
- Ultra-small TSSOP-14 package

APPLICATIONS

- TFT LCD VCOM/GAMMA Buffer
- ADC/DAC buffer
- Car Navigation Display
- Portable equipment

DESCRIPTION

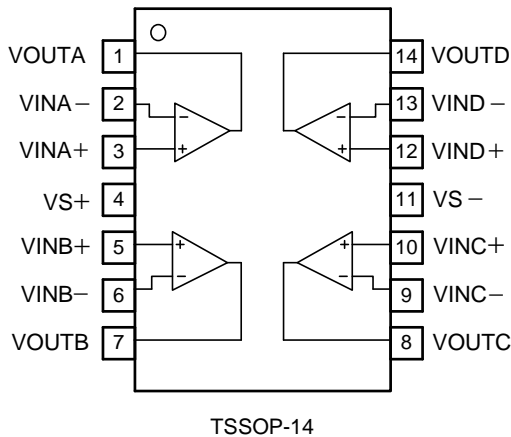
The ANX7002 is a low power, high voltage rail-to-rail 4-channel amplifier, which is provided as TFT LCD Vcom/Gamma Buffer. Each amplifier exhibits beyond the rail input capability, rail-to-rail output capability and is unity gain stable. The four amplifiers are ideal for use as voltage reference buffers in TFT-LCD panel applications for TV, Monitors, Notebooks, and portable equipment devices.

The ANX7002 features a high slew rate and fast settling times, and a extremely high output drive capability of 350mA peak output transient current (sink and source).

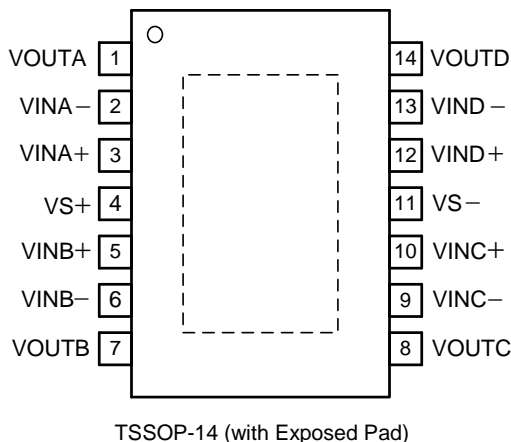
The ANX7002 operates on power supplies from 4.5V to 20V and consumes less than 1.3mA per amplifier. The ANX7002 is available in a space saving 14-pin TSSOP package, and the ANX7002H is in 14-pin TSSOP package with exposed pad. All the two devices feature a standard operational amplifier pin out, and operate over a temperature range of -40 deg C to +85 deg C.

Pin Configuration (Top View)

ANX7002



ANX7002H



Ordering Information

Part Number	Package
ANX7002AAT	TSSOP-14L
ANX7002AATH	TSSOP-14L (with exposed pad)